

TRANSFER GRILLE



DESCRIPTION:

TRM: Transfer grille with “V” shape vanes, 22mm frame and adjustable counter frame.

MATERIAL:

Specially extruded from 6063 aluminum profile.

FUNCTION:

The TRM Series grilles, used transfer air due to the pressure differential between environments and can be installed on walls or doors with thickness between 30mm and 69mm

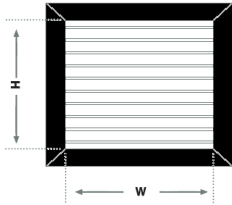
FINISHING:

- Standard finishing is natural anodized. Electrostatic powder coating is optional.
- Standard colors are RAL 9010 and RAL 9016. Other colors are available with enamel paint.

INSTALLATION:

- System with screws is standard.

STANDARD SIZES:



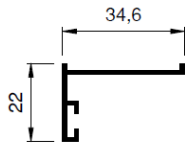
AVAILABLE SIZES (in.) - Always width x height													
HEIGHT	WIDHT												
	6"	8"	10"	12"	14"	16"	18"	20"	22"	24"	26"	28"	30"
4"	X	X	X	X	X	X	X	X	X	X	X	X	X
5"	X	X	X	X	X	X	X	X	X	X	X	X	X
6"	X	X	X	X	X	X	X	X	X	X	X	X	X
8"		X	X	X	X	X	X	X	X	X	X	X	X
10"			X	X	X	X	X	X	X	X	X	X	X
12"				X	X	X	X	X	X	X	X	X	X
14"					X	X	X	X	X	X	X	X	X
16"						X	X	X	X	X	X	X	X
18"							X	X	X	X	X	X	X
20"								X	X	X	X	X	X
22"									X	X	X	X	X
24"										X	X	X	X
26"											X	X	X
28"												X	X
30"													X

TRANSFER GRILLE

AVAILABLE SIZES (mm) - Always width x height													
HEIGHT	WIDHT												
	150	200	250	300	350	400	450	500	550	600	650	700	750
100	X	X	X	X	X	X	X	X	X	X	X	X	X
125	X	X	X	X	X	X	X	X	X	X	X	X	X
150	X	X	X	X	X	X	X	X	X	X	X	X	X
200		X	X	X	X	X	X	X	X	X	X	X	X
250			X	X	X	X	X	X	X	X	X	X	X
300				X	X	X	X	X	X	X	X	X	X
350					X	X	X	X	X	X	X	X	X
400						X	X	X	X	X	X	X	X
450							X	X	X	X	X	X	X
500								X	X	X	X	X	X
550									X	X	X	X	X
600										X	X	X	X
650											X	X	X
700												X	X
750													X

* Any combination of these sizes

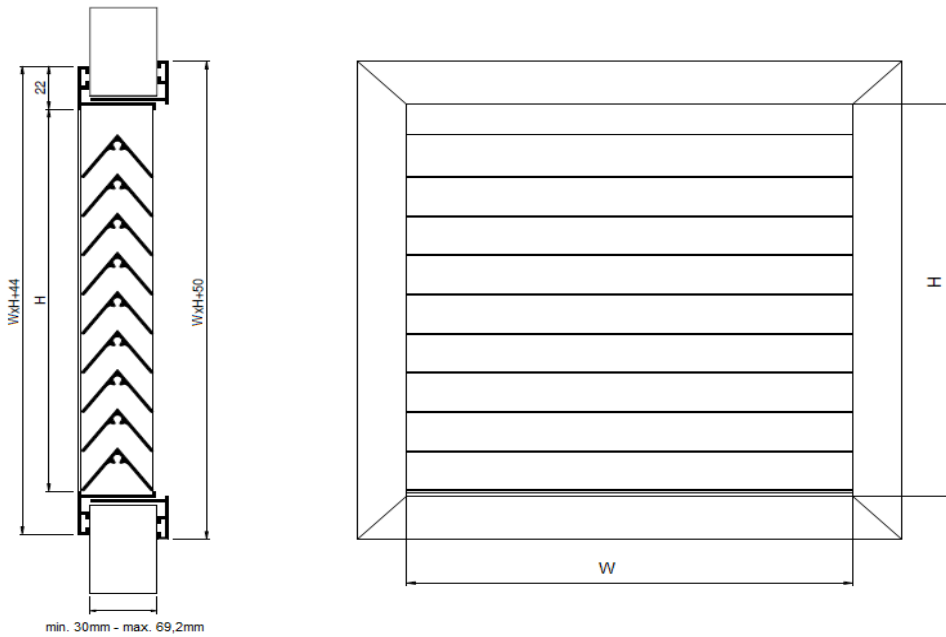
FRAME TYPES:



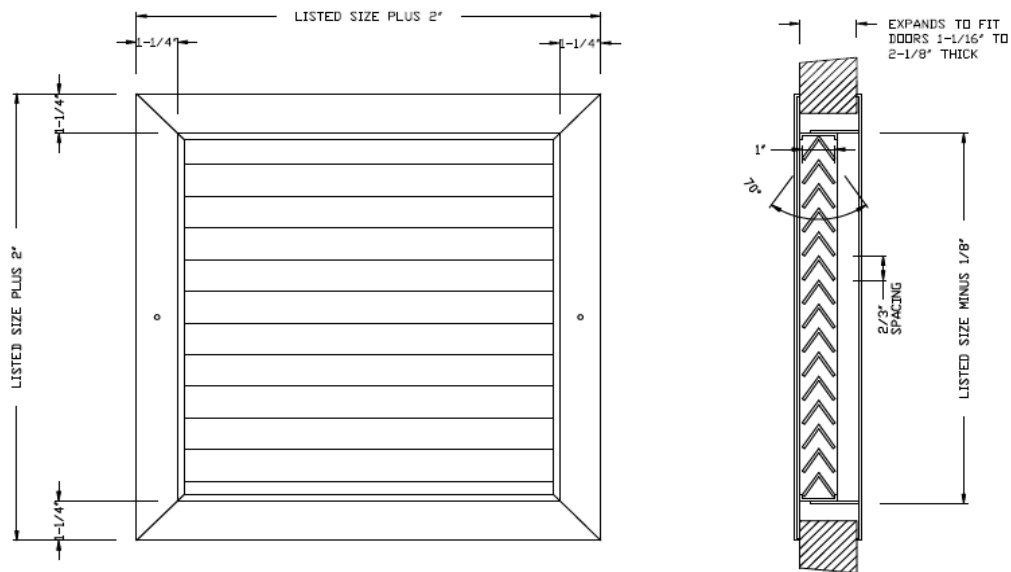
DRAWINGS :

Metric

TRANSFER GRILLE



Emperyal (inc)



TRANSFER GRILLES QUICK SELECTION TABLE

TRANSFER GRILLE

Flow (m ³ /h)	W x H	200 x 100	300 x 150	400 x 200	300 x 300	300 x 300	600 x 200 400 x 300	500 x 300	600 x 300	600 x 400
50	Vk (m/s)	1.3	0.6							
	Ps (Pa)	8.0	1.6							
60	Vk (m/s)	1.6	0.6							
	Ps (Pa)	11.6	2.3							
70	Vk (m/s)	1.9	0.8	0.4						
	Ps (Pa)	15.7	3.1	0.8						
80	Vk (m/s)	2.1	0.9	0.5	0.4					
	Ps (Pa)	20.5	4.1	1.1	0.8					
90	Vk (m/s)	2.4	1.1	0.6	0.5					
	Ps (Pa)	26.0	5.1	1.4	1.1					
100	Vk (m/s)		1.2	0.6	0.5	0.4	0.4			
	Ps (Pa)		6.3	1.7	1.3	0.7	0.7			
120	Vk (m/s)		1.4	0.7	0.6	0.5	0.5	0.4		
	Ps (Pa)		9.1	2.5	1.9	1.1	1.1	0.7		
140	Vk (m/s)		1.7	0.9	0.8	0.6	0.6	0.5		
	Ps (Pa)		12.4	3.4	2.6	1.5	1.5	0.9		
160	Vk (m/s)		1.9	1.0	0.9	0.6	0.6	0.5		
	Ps (Pa)		16.2	4.4	3.4	1.9	1.9	1.2		
180	Vk (m/s)		2.1	1.1	1.0	0.7	0.7	0.6	0.5	
	Ps (Pa)		20.5	5.6	4.3	2.4	2.4	1.5	1.1	
200	Vk (m/s)		2.4	1.2	1.1	0.8	0.8	0.6	0.5	
	Ps (Pa)		25.4	6.9	5.3	3.0	3.0	1.9	1.3	
250	Vk (m/s)			1.6	1.4	1.0	1.0	0.8	0.7	0.5
	Ps (Pa)			10.8	8.2	4.6	4.6	3.0	2.1	1.1
300	Vk (m/s)			1.9	1.6	1.2	1.2	1.0	0.8	0.6
	Ps (Pa)			15.6	12.0	6.7	6.7	4.3	3.0	1.5
350	Vk (m/s)			2.2	1.9	1.4	1.4	1.1	0.9	0.7
	Ps (Pa)			21.2	16.2	9.1	9.1	5.8	4.0	2.1
400	Vk (m/s)			2.5	2.2	1.6	1.6	1.3	1.1	0.8
	Ps (Pa)			27.7	21.1	11.9	11.9	7.6	5.3	2.7
500	Vk (m/s)					2.0	2.0	1.6	1.4	1.0
	Ps (Pa)					18.6	18.6	11.9	8.2	4.2
600	Vk (m/s)					2.4	2.4	1.9	1.6	1.2
	Ps (Pa)					26.7	26.7	17.1	12.0	6.1
700	Vk (m/s)							2.3	1.9	1.4
	Ps (Pa)							23.3	16.2	8.3
800	Vk (m/s)							2.6	2.2	1.5
	Ps (Pa)							30.4	21.1	10.8
900	Vk (m/s)								2.4	1.7
	Ps (Pa)								26.7	13.7
1000	Vk (m/s)									1.9
	Ps (Pa)									16.9
1200	Vk (m/s)									2.3
	Ps (Pa)									24.3

Qv (m³/h): Flow Rate , **Ak (m²)** : Effective area , **Vk (m/s)** : Exit Speed , **Pt (Pa)** : Pressure Loss

* All dimensions are in mm.

* WxH : Neck Size

* W: Length H: Height

TRANSFER GRILLE SELECTED

TRANSFER GRILLE EFFECTIVE AREA

H (mm)	Ak (m ²)							
	W (mm)							
	200	300	400	500	600	800	1000	1200
100	0,01	0,016	0,021	0,027	0,033	0,043	0,056	0,070
150	0,018	0,029	0,039	0,050	0,060	0,080	0,100	0,120
200	0,027	0,043	0,056	0,070	0,090	0,120	0,150	0,190
300		0,070	0,090	0,120	0,150	0,160	0,190	0,260
400			0,120	0,150	0,190	0,260	0,320	0,400
500				0,190	0,260	0,320	0,400	0,520

Table-1

SELECTED DIAGRAMI

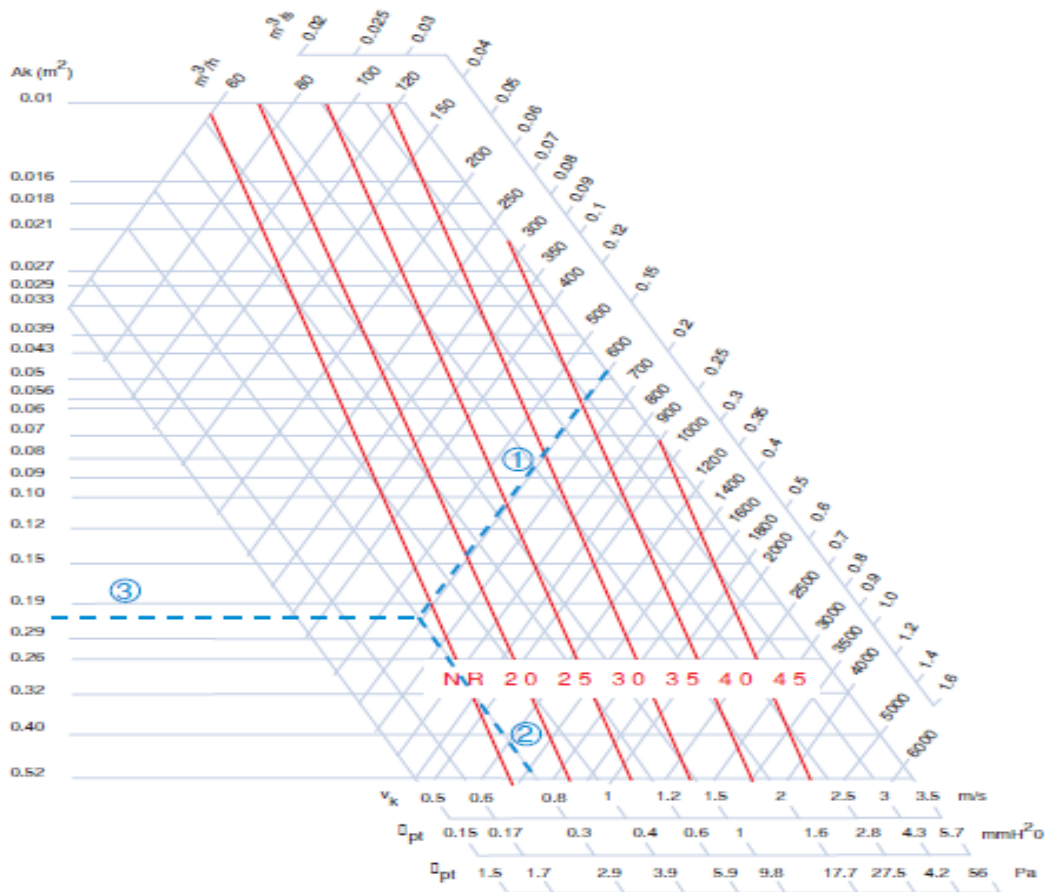


Diagram-1

SAMPLE GRILLE SELECTION

Given

$Q_v=600 \text{ m}^3/\text{h}$ ①
 $V_k=0.8\text{m}/\text{sn}$ ②

Selected

Diagram 1

$A_k= 0.20\text{m}^2$ ③
 $\Delta p_t=2.9 \text{ Pa}$

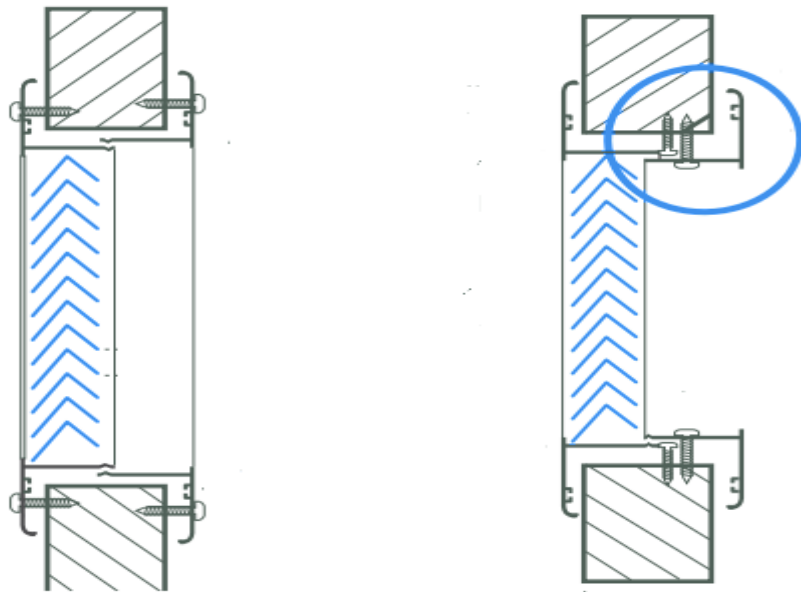
Table 1

W XH=1000x300mm

Selected

MOUNTING DETAILS**Screw Mounting Details**

TRANSFER GRILLE



ORDER CODES

TRM	22	RAL9010	VD	W 400X300
				W: Neck Size C: Frame Size
				00: Without Mounting VD: Screw Mounting
				00: without coating EL: Satin Aluminium
				RAL----: Powder Coated RAL

22: Frame = 22mm
32: Frame = 32mm