



IDEAL COMFORT DIFFUSER



Ideal Comfort Diffusers
IKD

IDEAL COMFORT DIFFUSER



Heating



Cooling

DESCRIPTION:

Electrically or manually adjustable diffusers are required for cooling and heating large halls.

In order to prevent draughts in the cooling mode, the supply air must largely be discharged horizontally from the diffuser.

In heating mode, however, the diffuser must have high penetration depth, in order to achieve fast and efficient heating.

The diffuser type IKD meets both these requirements with either a manual or electric adjustment. It ensures optimum air distribution in cooling and heating modes.

IKD-S: Diffuser with adjustable air pattern.

IKD-M: Diffuser with adjustable air pattern and motor

IKD-AY: Diffuser with adjustable air pattern and adjustable neck.

IKD-PL: Diffuser with adjustable air pattern and plenum box

MATERIAL:

Galvanized sheet metal

FUNCTION:

IKD type diffuser used for installation at heights of 4-15m in exhibition, sport and production halls.

IKD diffuser can be used for both heating and cooling applications. Round design with outer casing and adjustable inner basket to change air flow direction. Adjustment can be done manual or with motor. The free cross section is not changed when adjusting outlet direction, Pressure loss and noise level remain the same in all diffuser settings.

FINISHING:

- Powder coated in RAL9010 color as standard. Other colors on request

INSTALLATION:

- Screw
- No Fixing

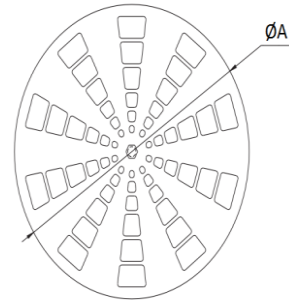
IDEAL COMFORT DIFFUSER

ACCESSORIES:

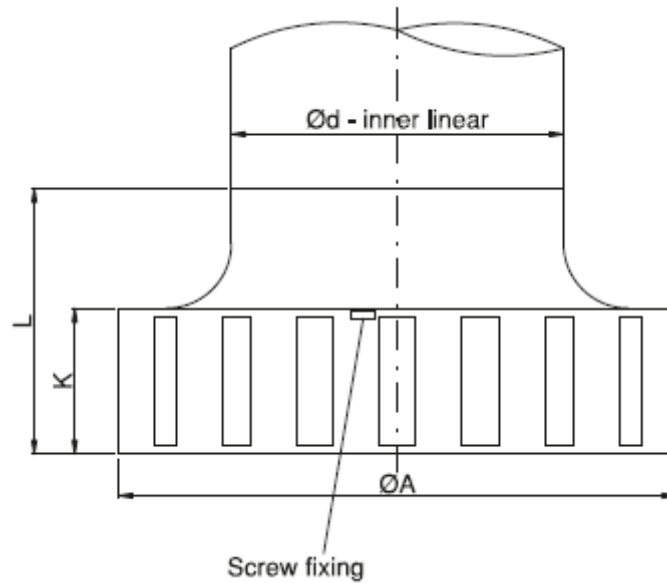
- Plenum box

STANDARD SIZES (mm):

MEASURE	ØA	Ød	L	K	ØE	ØD	H
300	302	180	144	79	260	178	330
400	402	250	178	98	360	248	400
500	502	315	200	120	460	313	465
600	602	400	221	136	560	398	550
800	802	500	310	135	725	498	650

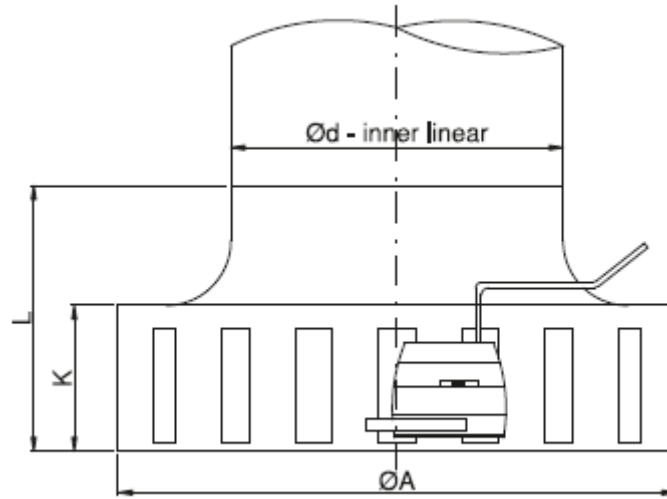


IKD-S Standard Type

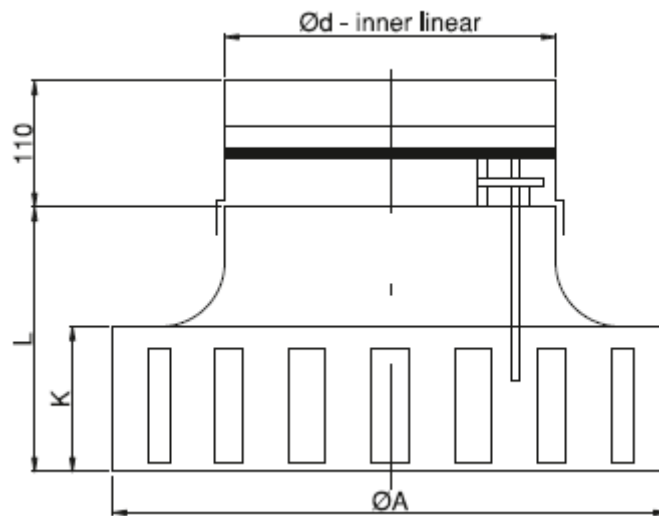


IKD-M Type With Electric Motor

IDEAL COMFORT DIFFUSER

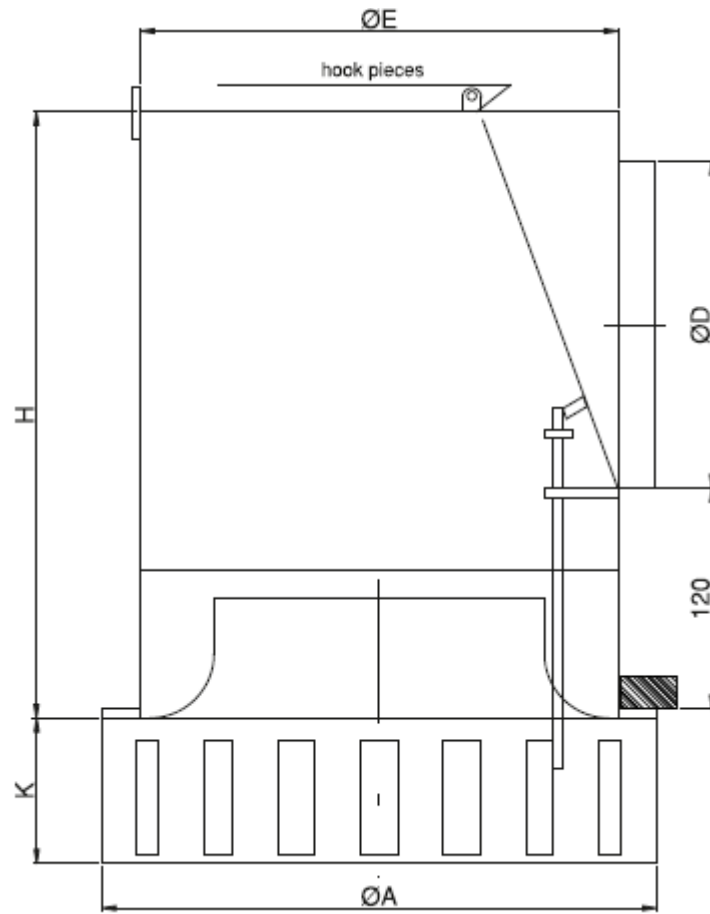


IKD-AY Type With Adjustable Neck



IKD-PL Type With Plenum Box

IDEAL COMFORT DIFFUSER



IKD SELECTION TABLE

HEATING

COOLING

IDEAL COMFORT DIFFUSER

Qv (m³)	MODEL	300	400	500	600	800
300	Hmax (m)	4				
	NR	27				
	P (Pa)	40				
400	Hmax (m)	6	3,5			
	NR	37	25			
	P (Pa)	70	18			
600	Hmax (m)	8	6			
	NR	45	35			
	P (Pa)	150	40			
800	Hmax (m)		7	4,5		
	NR		45	30		
	P (Pa)		80	20		
1000	Hmax (m)		9	6	4,5	
	NR		50	35	30	
	P (Pa)		120	30	22	
1500	Hmax (m)			7	6,5	
	NR			45	40	
	P (Pa)			70	55	
2000	Hmax (m)			10	9	2,5
	NR			50	50	25
	P (Pa)			80	90	15
3000	Hmax (m)				14	3
	NR				55	30
	P (Pa)				170	20
5000	Hmax (m)					4
	NR					35
	P (Pa)					25
7000	Hmax (m)					4,5
	NR					40
	P (Pa)					35
7200	Hmax (m)					5,5
	NR					50
	P (Pa)					85

Qv (m³)	MODEL	300	400	500	600	800
300	L+H ₁	3,5				
	NR	27				
	P (Pa)	40				
400	L+H ₁	4,5	3,5			
	NR	37	25			
	P (Pa)	70	18			
600	L+H ₁	7,5	4,5			
	NR	45	35			
	P (Pa)	150	40			
800	L+H ₁		6	4,8		
	NR		45	30		
	P (Pa)		80	20		
1000	L+H ₁		6,8	5,8	3,5	
	NR		50	35	30	
	P (Pa)		120	30	22	
1500	L+H ₁			8,5	5	
	NR			45	40	
	P (Pa)			70	55	
2000	L+H ₁				7	5
	NR				50	25
	P (Pa)				90	15
3000	L+H ₁				9	7,5
	NR				55	30
	P (Pa)				170	20
5000	L+H ₁					12
	NR					35
	P (Pa)					25

$\Delta T=10^{\circ}$
Damper %100 open
Without
ceiling effect

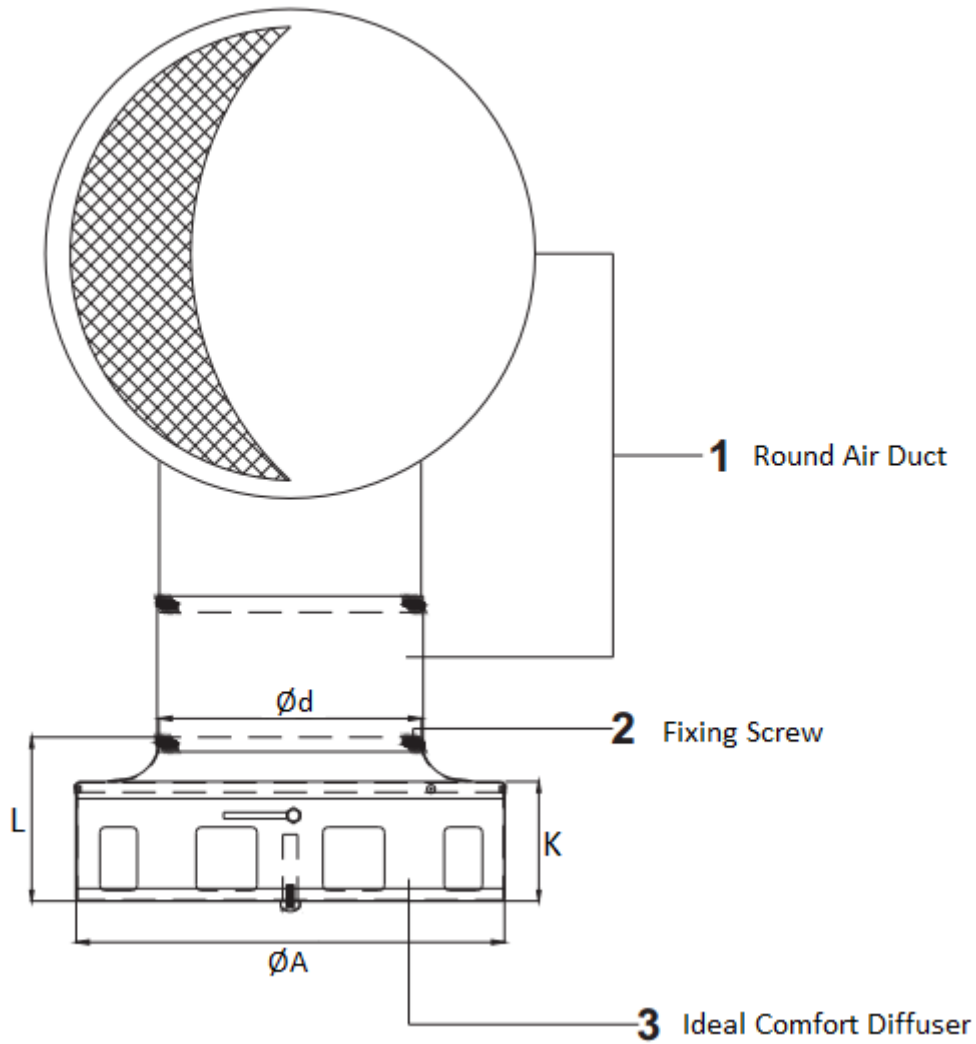
$V=0,20$
Damper %100 open
Without ceiling
effect

QUICK SELECTION TABLE

Standard size	ø A	ø d	L	K	Min,Ceiling high (m)	Air volume(m ³ /h) Vmin-Vmax
300	302	180	144	79	3	200-1000
400	402	250	178	98	3	300-2000
500	502	315	200	120	4	400-2500
600	602	400	221	136	5	500-4000
800	802	500	310	185	5	800-7000

INSTALLATION:

IDEAL COMFORT DIFFUSER





IDEAL COMFORT DIFFUSER

ORDER CODES

IKD	PL	SRO	RAL9010	00	D 180
IKD-S IKD-M IKD-AY IKD-PL					D: Frame Dimension (Out Size)
MNO: Manual Operated SRO: Servo-Operated					00: No Mounting SM: Screw Mounting
					00: No coating RAL----: Powder Coating